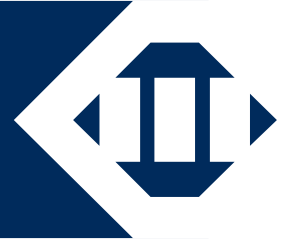


SV "long vibrators" range



EX-STOCK DELIVERY
2 YEAR WARRANTY
SIZE 75A & 75D 100%
INTERCHANGEABLE
TO DERRICK® SCREEN
VIBRATORS FOOTPRINTS*



NO CROSSBEAM

Designed to be installed on vibrating screens and feeders without any support crossbeam.



DIRECT VIBRATION

Designed to exert its centrifugal force much closer to the screen walls than traditional foot mounted electric vibrators fitted on a support crossbeam.



ADJUSTABLE CF

Available with both adjustable or fixed masses.

* Derrick® is a registered trademark of Derrick Corporation, Buffalo, New York. There is no affiliation between Derrick Corporation and OLI.



VIBRATORS FOR QUARRY & MINING, OIL & GAS





SV - RANGE OVERVIEW

Wm (kg*cm)		Model		Poles	Centrifugal Force (kg)		rpm		Weight (kg)		ELECTRICAL SPECIFICATION					
50Hz	60Hz	50Hz	60Hz	n°	50Hz	60Hz	50Hz	60Hz	50Hz	60Hz	Input Power (kW)		Nominal Current A max. (Y)		Ia / In (Ampere)	
278.60	193.40	MVE 3500/15D-N-SV-75A0	MVE 3500/18D-N-SV-75A0	4	3,500	3,502	1,500	1,800	180	170	50Hz	60Hz	50Hz (400V)	60Hz (460V)	50Hz	60Hz
278.60	193.40	MVE 3500/15D-N-SV-75D0	MVE 3500/18D-N-SV-75D0	4	3,500	3,502	1,500	1,800	180.0	170	2.20	2.60	4.30	4.33	6.50	6.50
417.10	292.00	MVE 5300/15D-N-SV-80A0	MVE 5300/18D-N-SV-80A0	4	5,240	5,283	1,500	1,800	211	200	2.20	2.60	4.30	4.33	6.50	6.50
620.10	434.00	MVE 8000/15D-N-SV-84A0	MVE 8000/18D-N-SV-84A0	4	7,790	7,851	1,500	1,800	280	260	2.60	3.00	5.50	5.20	7.10	7.00
											3.20	3.80	6.30	6.30	7.10	7.00



FEATURES

The SV electric motovibrator works like any other foot mounted electric model, providing vibrations to the vibrating machine on which it is installed. Two parallel SV are needed to provide **linear motion** to the vibrating machine while just one is necessary to provide **circular motion**.

The SVs **do not need any crossbeam to be installed** because the body works as a crossbeam itself.

The SV size 75A and 75D are designed to retrofit existing vibrating machines using vibrating motors made by **Derrick® Screen Vibrators**. Thanks to its versatility, the SV range can also be used in a plenty of other applications:

QUARRY & MINING

- Wet and dry solids separation (eg "Stack Sizer" by Derrick®)
- Screening (eg "High speed screens" by Derrick®)

OIL & GAS

- Drilling fluids recovery systems (eg "Hyperpool" shale shakers by Derrick®)

ADVANTAGES OF OLI SV

- OLI SV size 75A and 75D match both the Derrick®'s long vibrator footprints;
- First class bearings;
- Long bearing life;
- Easy mass adjustment positions;
- Greased for life, 100% maintenance free.

APPLICATION ADVANTAGES

- The centrifugal force is provided directly on the screen walls, improving screening efficiency and screening mesh life span.
- On OLI's SV it is possible to adjust the centrifugal force using pre-drilled holes on the adjustable mass.
- SV comes with a standard factory preset star connection for high voltage inside the terminal box.
- OLI's SV can also be operated at low voltage by simply changing the position of the connection plates inside the terminal box from Star to Delta.
- SVs can be supplied on request with multiple voltages suitable to be used in various countries all over the world.



SV - LONG VIBRATOR

APPLICATION Vibrating screens, shale shakers, feeders/conveyors and dewatering screens for quarry, mining, recycling and other sectors

PROBLEM SOLVING SV acts as a structural part of the machine: it eliminates the crossbeam usually needed to support standard vibrating motors. The centrifugal force is applied directly on the screen walls.

FEATURES

INPUT VOLTAGE 220-240/380-415V, 290-300/500-525V, 330/575V, 220-277/380-480V, 230/460V

AMBIENT TEMPERATURE -20°C/40°C as standard, -20°C/55°C on request

IP 66

THERMAL PROTECTION Thermistor PTC 130°C included

INSULATION CLASS F

OPTIONS

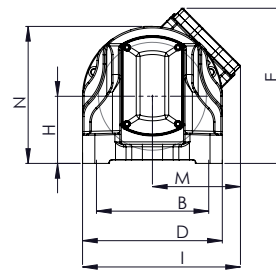
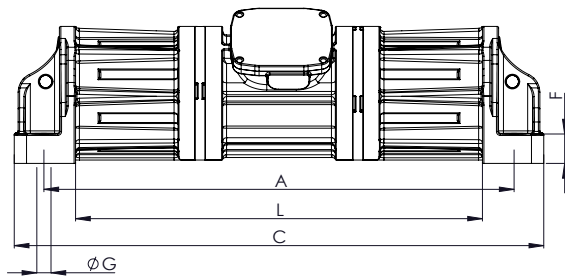
Greased for life

2 and 6 poles available on request

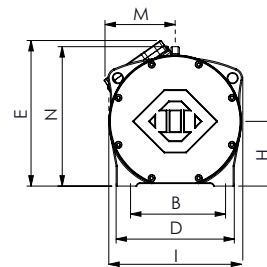
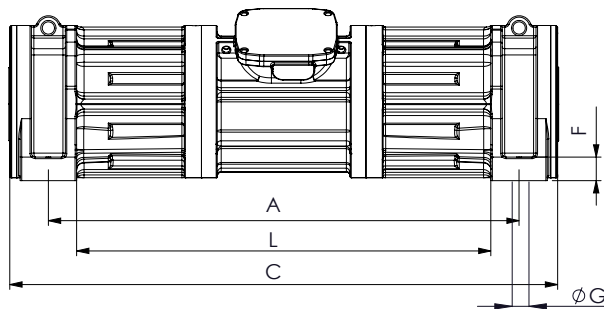


Cable Gland	DIMENSIONAL SPECIFICATIONS (mm)																			
	Drawing	Size	Holes	C	M	A	A1	B	Ø G	D	E	F	H	I	L	L1	L2	L3	N	Screw
3/4" NPT 110°C	A	75A	4	1,080	179.5	959	-	229	29	285	316.5	60	137	322	830	-	-	-	279.5	M27
3/4" NPT 110°C	A	75D	4	1,080	179.5	959	-	241.3	20	285	316.5	60	137	322	830	-	-	-	279.5	M18
3/4" NPT 110°C	B	80A	4	1,116	170	959	-	229	29	285	351	48	156	333	844	-	-	-	316	M27
3/4" NPT 110°C	C	84A	8	1,362	185	744	1,224	280	22	330	407	57	180	360	656	831	1,137	1,311	345	M20

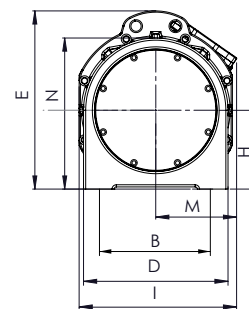
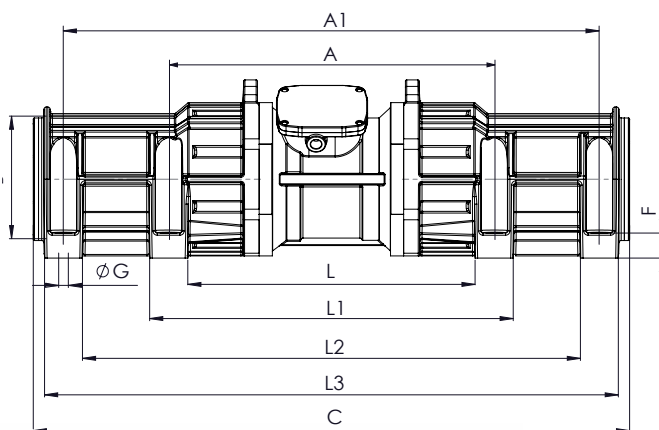
A



B



C



SV SIZE 75

SV SIZE 84





WHEN YOU NEED IT, WHERE YOU NEED IT

THE WORLDWIDE LEADER IN VIBRATION TECHNOLOGY



OLI WORLDWIDE

OLI Australia	OLI Germany	OLI Nordic	OLI Thailand
OLI Benelux	OLI India	OLI Romania	OLI Turkey
OLI Brazil	OLI Italy	OLI Russia	OLI UK
OLI China	OLI Malta	OLI South Africa	OLI USA
OLI France	OLI Middle East	OLI Spain	



OLI Headquarters

Via Canalazzo, 35
41036 Medolla (MO) - Italy

+39 0535 41 06 11

info@olivibra.com

WWW.OLIVIBRA.COM

